

REMOTE MONITORING SOLUTIONS



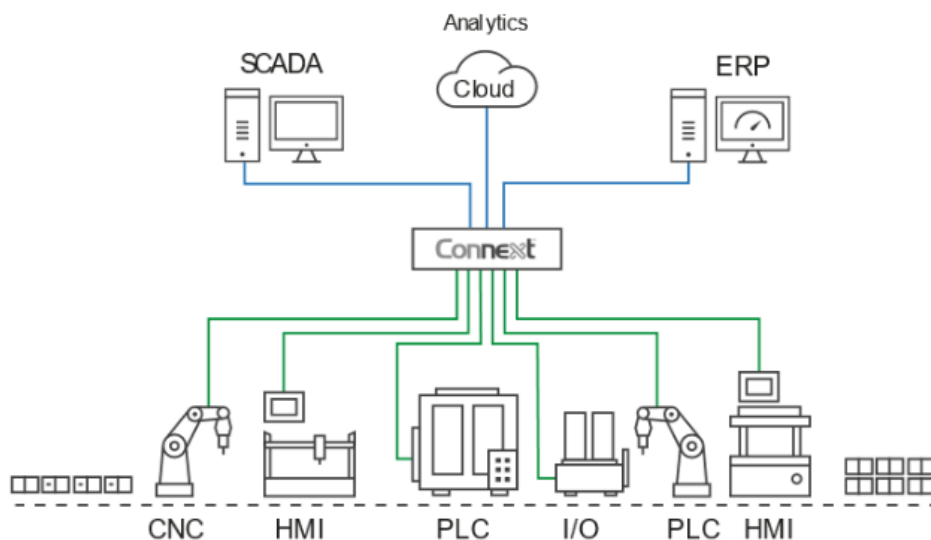
Simplify your remote monitoring with RMS100 – the powerful IIoT edge device from TAG Solutions



IIoT Edge Protocol Conversion **RMS100E & RMS100C** Powered by Emerson Movicon.Connex

The All-In-One Solution for Your IIoT Needs

Introducing RMS100, the powerful IIoT edge device that simplifies your remote monitoring solution. Our Connex™ OPC UA Server is the foundation for industrial control and building management systems, providing I/O data server, gateway, and IIoT connectivity engine functionalities, plus advanced features like network gateways, historians, and data loggers, all with maximum security and performance. Say goodbye to manufacturer “lock-in” and enjoy peace of mind. By integrating with FacilityConneX, our cloud-based real-time monitoring solution, RMS100 proactively optimizes energy efficiency, operational performance, and preventative maintenance with advanced predictive analytics.



FAST ENGINEERING

Faster development times aided by powerful wizards, extensive driver list and toolboxes.

SCALABILITY

Designed to ensure maximum scalability and allows you to use a single configuration environment for modular solutions in a simple and flexible way.

MAXIMUM SECURITY

Layered Security and Authentication methods to ensure managing data between Server and Client and highest level of threat protection.

RMS100E & RMS100C Features

FEATURE	DESCRIPTION	
	RMS100E	RMS100C
DIMENSIONS (WxHxD)	102.5 x 129 x 38 mm / 4.04 x 5.08 x 1.50 in	
ETHERNET PORTS	2 GbE LAN	
SERIAL PORTS	1 RS232/422/485 Selectable (1 Total)	
USB	1 3.2 Gen 1, 2 2.0 and 1 USB-C	
ONBOARD MEMORY	8GB memory with 64GB SATA SSD	
CELLULAR	No Connectivity	4G (NOT 5G) LTE Connectivity AMIT 4G LTE Modem for FRO1 (no SIM) - US ONLY
SUPPORTED CLOUD CONNECTIVITY	FacilityConnex, Amazon, Azure, Google	
INSTALLED SOFTWARE	Movicon Connex and FCX Edge	
MAX SUPPORTED TAGS	4,000 (default)	
SUPPORTED DEVICE CONNECTIONS	Six Simultaneous Drivers are Supported	
DRIVER	Allen-Bradley Rockwell - Ethernet/IP · GE Ethernet · Modbus Serial RTU and Modbus TCP-IP · Omron - Ethernet/IP and FINS Ethernet · OPC UA Client · Siemens PC Adapter-MPI, PPI, and S7 TCP · SQL Driver · IoT ProgeaCloud Databoom · MQTT Client · ROC · BACnet/IP · Konnex - KNX Eibus · SNMP Manager · Fatek · Mitsubishi - Melsec FX, Melsec FX TCP, Melsec Q TCP · MTConnect · Panasonic FP MEWTOCOL · Saia DATA Mode	
INPUT VOLTAGE	8~24 VDC ; 3pin Terminal Block	
OPERATING TEMPERATURE & HUMIDITY RANGE	-20 ~ 60C ; 10% -95% (non-condensing)	
CASE TYPE & MATERIAL	Compact Fanless Aluminum and Plastic	
REGULATORY INFORMATION	ETL Listed · EN 62368-1 · IEC 62368-1 IEC · IEC 60945 · IEC/EN 61010-1 · IEC/EN 61010-2-201 · CE · UKCA · REACH · RoHS 3 (2015/863/EU) · CB scheme	
WARRANTY	12 Month Limited Warranty	



Visit Our Website
tagsolutions.io/remote-monitoring-solutions

